

Model: JSMA-PMB20AAK

No.	Item	Symbol	Unit	Specification	No.	Item	Symbol	Unit	Specification
1	Drive	-	-	3 ϕ 220 VAC	13	Roter Inertia	J-M	kg-cm ²	12.14 \pm 10%
2	Cooling Method	-	-	Totally Enclosed	14	Rated Power Rate	Q-R	Kw/s	75.1
3	Exciting Method	-	-	Permanent Magnet	15	Resistance	Ra	Ω	0.58 \pm 10% / 2 ϕ
4	Resolution	-	-	17 bit ABS	16	Inductance	L	mH	3.78 \pm 10% / 2 ϕ
5	Rated Output	P-R	KW	2	17	Mech. Time Constant	Tm	ms	0.81 \pm 10%
6	Rated Torque	T-R	N-m	9.55	18	Elect. Time Constant	Te	ms	6.52 \pm 10%
7	Max. Torque	T-max	N-m	28.65	19	Insulation Class	-	-	Class B
8	Rated Speed	N-R	rpm	2000	20	Operation Temp.	T	$^{\circ}$ C	0~40
9	Rated Current	I-R	A	9.0	21	Operation Humd.	RH	%	<90
10	Max. Current	I-max	A	27.0	22	Storage Temp.	T	$^{\circ}$ C	-20~60
11	Torque Constant	Kt	N-m/A	1.139 \pm 10%	23	Storage Humd.	RH	%	<90
12	Voltage Constant	Kc	V/k.rpm	68.89 \pm 10% / 2 ϕ	24	Weight	W	kgw	10.16

NO	Signal
A	U
B	V
C	W
D	FG

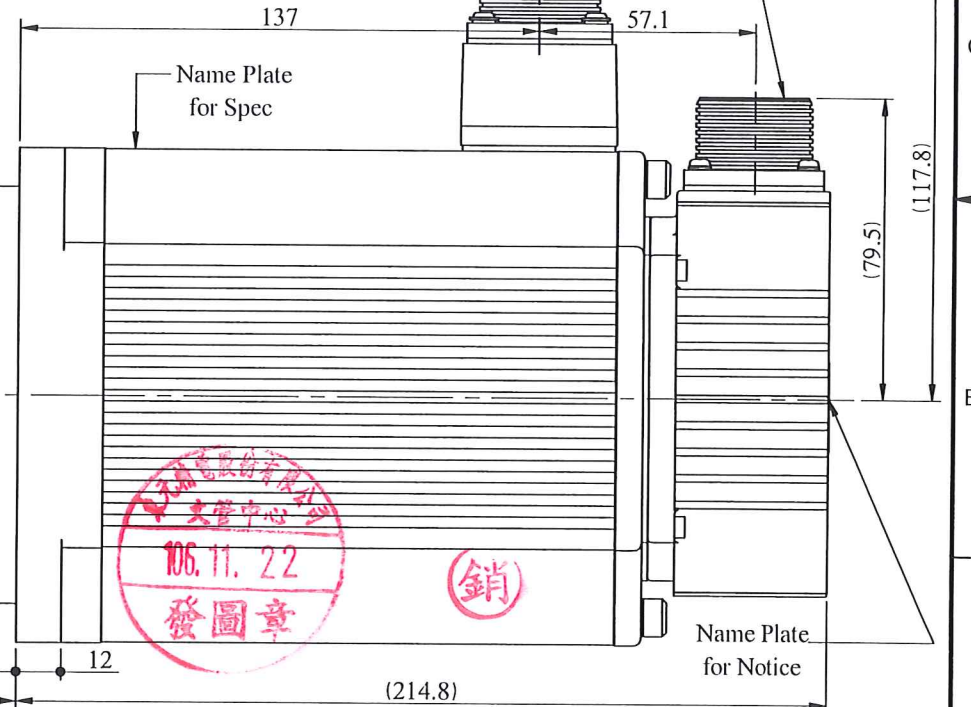
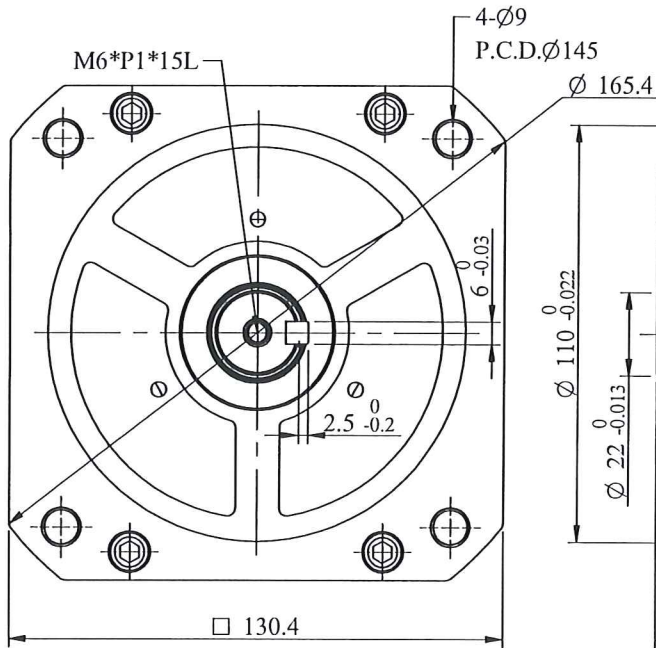
motor wiring

Pin	Signal
B	+5V
I	0V
A	VB+
C	VB-
H	SD+
D	SD-
G	
E	
F	FG

encoder wiring

NOTE:

1. Motor to be IP67(excluding the shaft opening & connectors).
2. The detail of Name plate for Spec. refers to the file DC-JXE-002.



STANDARD TOLERANCE					APVD	<i>2-1/2</i>	SCALE	1/2	UNIT	mm	NAME	Servo Motor Outline Drawing	
X	\pm 0.5				CHKD							JSMA-PMB20AAK	
.X	\pm 0.2				CHKD		3RD .A.P				TITLE		
.XX	\pm 0.05				DWN	Leon							
ANGLE	\pm 30'					11-20-'17							
MATERIAL		REV	DESCRIPTION	SIGNATURE	DATE	SIGNATURE	DATE			Dept. Design	DWG.NO.	D01B13202B3N3AD01	